



# Air Conditioning Technical Data

Small concealed ceiling unit



EEDEN14-100

FDBQ-B



# TABLE OF CONTENTS

## FDBQ-B

1	Features .....	2
2	Specifications .....	3
	Technical Specifications .....	3
	Electrical Specifications .....	3
3	Options .....	4
4	Dimensional drawings .....	5
5	Piping diagrams .....	6
6	Wiring diagrams .....	7
	Wiring Diagrams - Single Phase .....	7
7	Sound data .....	8
	Sound Pressure Spectrum .....	8
8	Fan characteristics .....	9
9	Installation .....	10
	Installation Method .....	10

# 1 Features

- Designed for hotel bedrooms
- Blends unobtrusively with any interior décor: only the suction and discharge grilles are visible
- Compact dimensions (230mm high & 652mm deep), can easily be mounted in a ceiling void
- Whisper quiet operation: down to 28dBA sound pressure level
- For easy mounting, the drain pan can be located to the left or right of the unit
- The air suction direction can be altered from rear to bottom suction

1



Home leave operation



Fan only



Auto cooling-heating changeover



Whisper quiet



Fan speed steps



Dry programme



Air filter



Weekly timer



Wired remote control



Auto-restart



Self diagnosis



Multi model application



Super Multi Plus

## 2 Specifications

2-1 Technical Specifications				FDBQ25B	
Casing	Material			Zinc coated low carbon steel	
Dimensions	Unit	Height/Width/Depth	mm	230/652/502	
	Packed unit	Height/Width/Depth	mm	301/753/584	
Weight	Unit		kg	17.0	
	Packed unit		kg	18.0	
Heat exchanger	Length		mm	430	
	Rows	Quantity		2	
	Fin pitch		mm	1.40	
	Passes	Quantity		2	
	Face area		m <sup>2</sup>	0.108	
	Stages	Quantity		12	
	Empty tubeplate hole	Quantity		0	
	Tube type			ø7 Hi-XA	
	Fin	Type		Rhombus	
	Fan	Type			Sirocco fan
Quantity			1		
Air flow rate		Cooling	High	m <sup>3</sup> /min	6.50
			Low	m <sup>3</sup> /min	5.20
		Heating	High	m <sup>3</sup> /min	6.95
			Low	m <sup>3</sup> /min	5.20
Fan motor	Quantity			1	
	Drive			Direct drive	
	Speed	Steps		2	
	Output	High	W	10	
Sound power level	Cooling	/	dBA	55	
	Heating	/	dBA	55	
Sound pressure level	Cooling	High/Low	dBA	35.0/28.0	
	Heating	Super high/High/Low	dBA	-/35.0/29.0	
Refrigerant	Type			R-410A	
Piping connections	Liquid	OD		6.35	
	Gas	OD		9.52	
	Drain			27.2	
Temperature control				Microprocessor thermostat for cooling and heating	
Air filter	Type			Resin net with mold resistance	

Standard Accessories : Suction air filter; Quantity : 1;

Standard Accessories : Installation and operation manual; Quantity : 1;

2-2 Electrical Specifications				FDBQ25B	
Power supply	Name			V1	
	Phase			1~	
	Frequency		Hz	50	
	Voltage		V	230	
Voltage range	Min.			%	-10
	Max.			%	10
Current	Nominal running current (RLA) - 50Hz	Cooling	A	0.200	
		Heating	A	0.200	
Power supply intake				Outdoor unit only	

### Notes

- (1) Sound values are measured in a semi-anechoic room.
- (2) Sound pressure level is a relative value, depending on the distance and acoustic environment. For more details, please refer to the sound level drawings.
- (3) The sound power level is an absolute value indicating the power which a sound source generates.

# 3 Options

## 3 - 1 Options

3

### FDBQ-B

Item	Unit	FDBQ25
Wiring adaptor (hour meter)		EKR1B2
Wired remote controller		BRC1D52
Wired remote controller		BRC1E51A7 *1
Wired remote controller		BRC1E52A7 *2
Wired remote controller		BRC1E52B7 *3

4TW25859-1E

#### NOTES

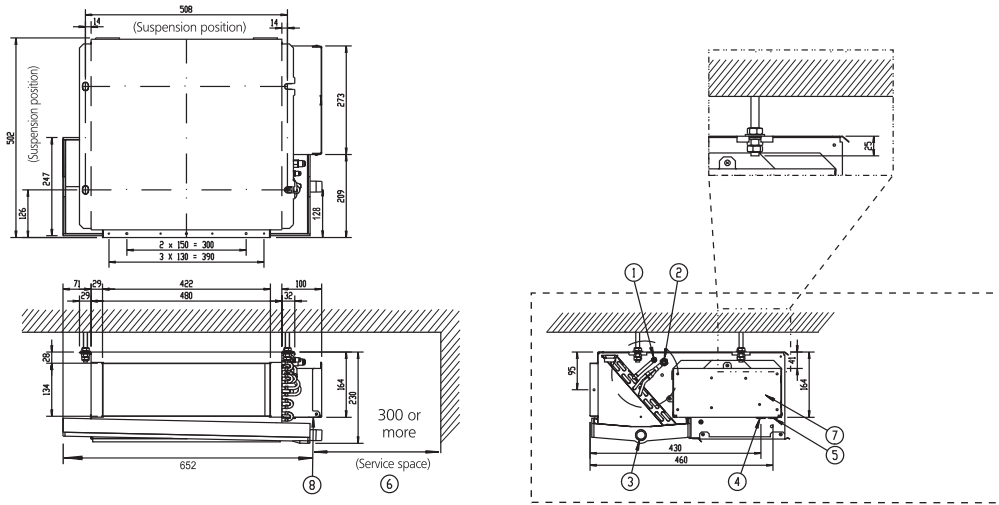
- 1 Included languages are: English, German, French, Dutch, Spanish, Italian, Greek, Portuguese, Russian and Turkish.
- 2 Included languages are: English, German, French, Dutch, Spanish, Italian, Greek, Portuguese, Russian, Turkish and Polish.
- 3 Included languages are: English, German, Albanian, Bulgarian, Croatian, Czech, Hungarian, Romanian, Serbian, Slovak and Slovenian.

# 4 Dimensional drawings

## 4 - 1 Dimensional Drawings

FDBQ25B

unit (mm)



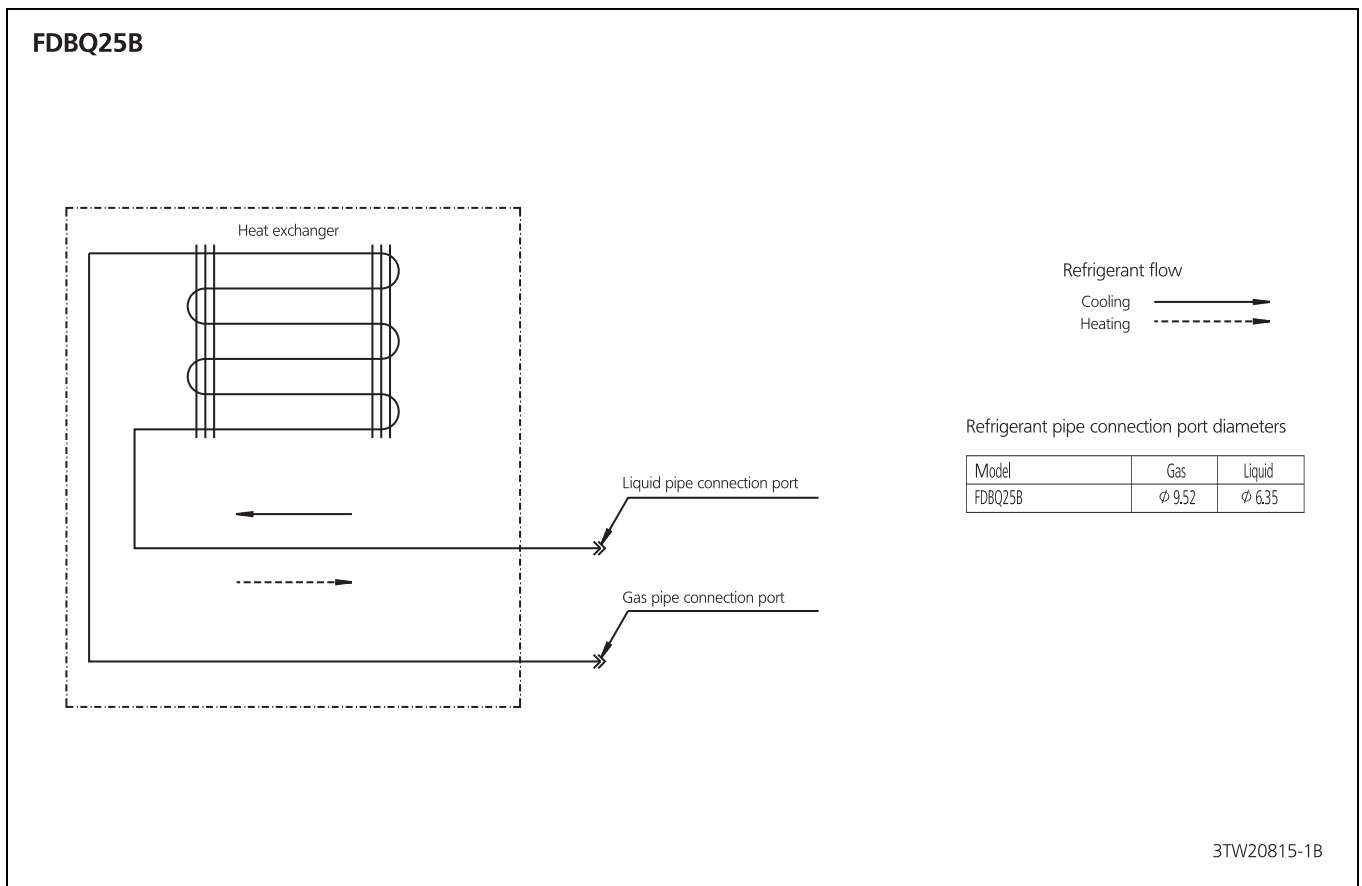
- 1 Liquid pipe connection ( $\phi 6.35$ )
- 2 Gas pipe connection ( $\phi 9.52$ )
- 3 Drain hole (OD =  $\phi 27.2$  ID =  $\phi 21.6$ )
- 4 Entry for wiring on/off-switch, remote controller and electrical heater
- 5 Entry for wiring power supply
- 6 Service space
- 7 Switch box
- 8 Name plate

3TW20814-1C

# 5 Piping diagrams

## 5 - 1 Piping Diagrams

5



6

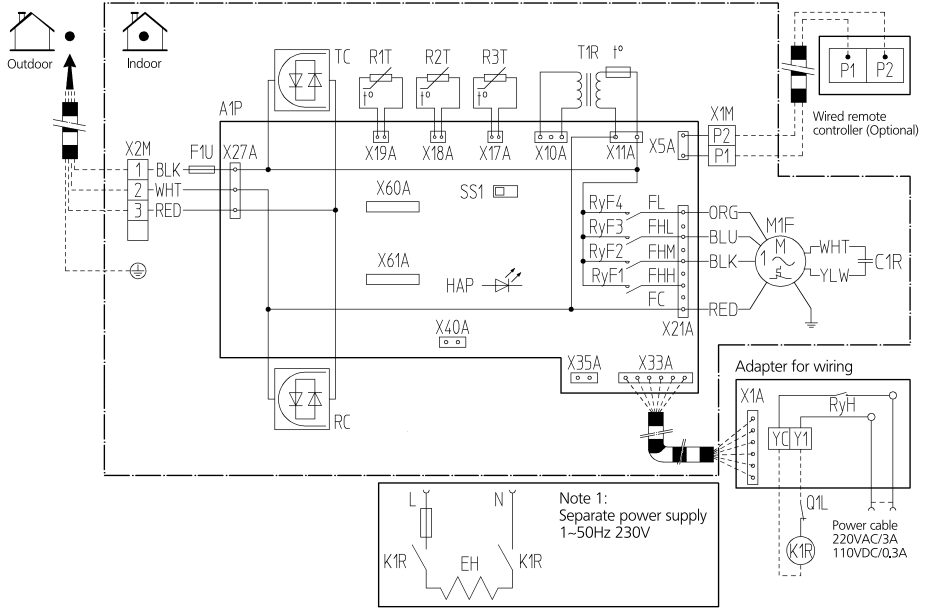


# 6 Wiring diagrams

## 6 - 1 Wiring Diagrams - Single Phase

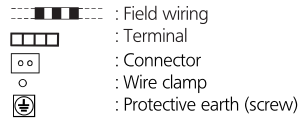
### FDBQ25B

A1P	Printed circuit board
T1R	Power supply transformer (transformer 220-240V/21.8V)
C1R	Capacitor (fan)
F1U	Fuse (5A, 250V)
F1T	Thermal fuse (152°C) (M1F embedded)
HAP	Light emitting diode (service monitor green)
M1F	Motor (fan)
R1T	Thermistor (Air)
R2T	Thermistor (Liquid)
R3T	Thermistor (Coil)
RyF1-4	Magnetic relay (fan)
SS1	Select switch (emergency)
X1M	Terminal strip
X2M	Terminal strip
RC	Signal receiver circuit
TC	Signal transmission circuit
Adapter for wiring	
RyH	Magnetic relay
Q1L	Thermal protector
Connector for optional parts	
X60A, X61A	Connector (interface adapter for SKY AIR / US series)
X33A	Connector (adapter for wiring)
X35A	Connector (group control adapter)
X40A	Connector (remote ON/OFF forced OFF)
Field supply	
K1R	Magnetic relay
EH	Electrical heater



**Notes**

- 1 When using the central remote control, see manual for connection to the unit.
- 2 The remote controller model varies according to the combination system. See technical materials and catalogues, etc. before connecting.



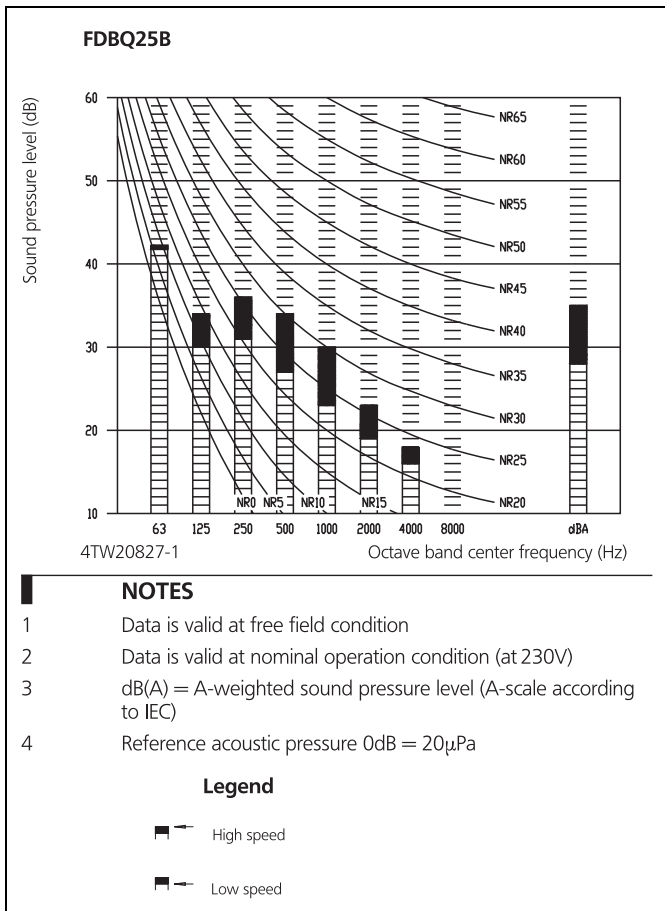
**Colours**  
 BLK : Black  
 ORG : Orange  
 WHT : White  
 BLU : Blue  
 RED : Red

2TW25856-1B

# 7 Sound data

## 7 - 1 Sound Pressure Spectrum

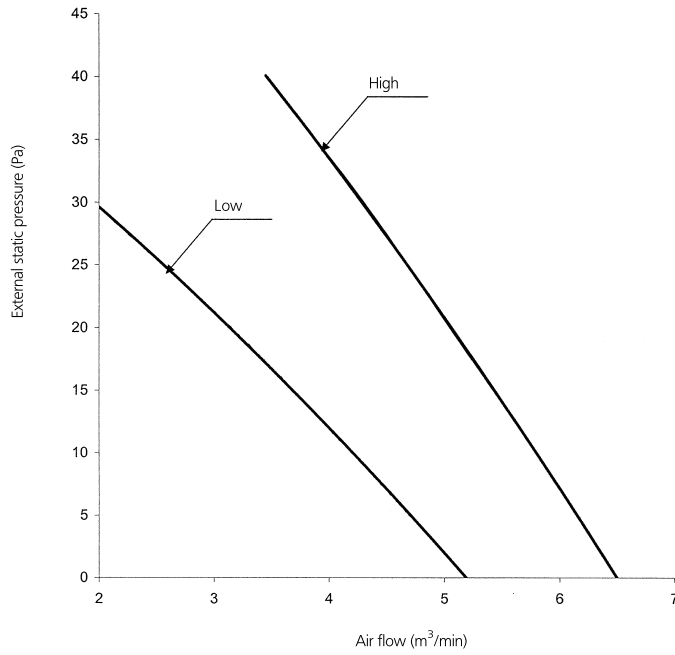
7



# 8 Fan characteristics

## 8 - 1 Fan Characteristics

FDBQ25B



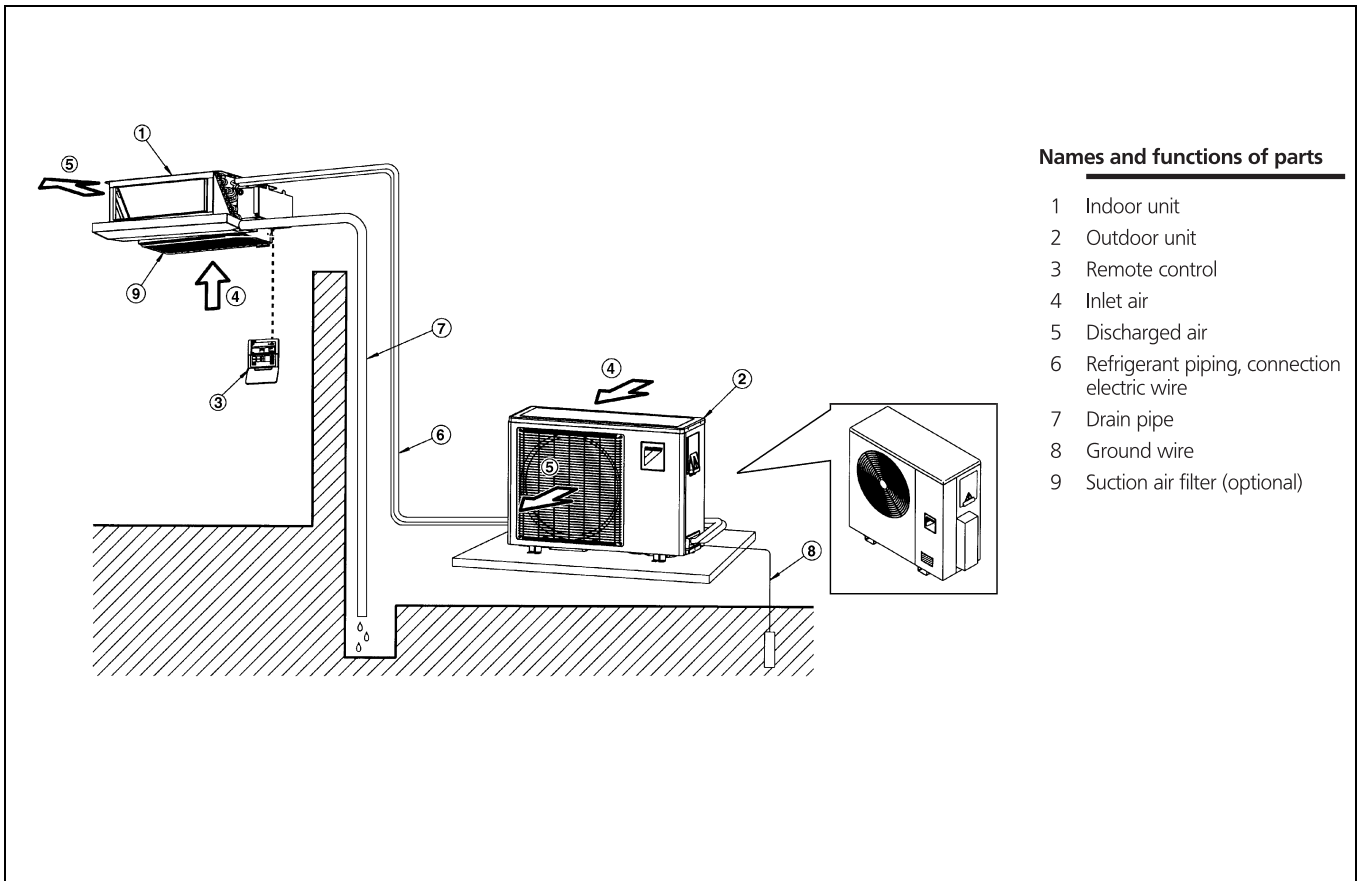
Note: The wired remote control can be used to switch between 'high' and 'low'

4TW25858-1

# 9 Installation

## 9 - 1 Installation Method

9



### Names and functions of parts

- 1 Indoor unit
- 2 Outdoor unit
- 3 Remote control
- 4 Inlet air
- 5 Discharged air
- 6 Refrigerant piping, connection electric wire
- 7 Drain pipe
- 8 Ground wire
- 9 Suction air filter (optional)



Daikin Europe N.V. participates in the Eurovent Certification programme for Liquid Chilling Packages (LCP), Air handling units (AHU) and Fan coil units (FCU). Check on-going validity of certificate online: [www.eurovent-certification.com](http://www.eurovent-certification.com) or using: [www.certiflash.com](http://www.certiflash.com)

The present leaflet is drawn up by way of information only and does not constitute an offer binding upon Daikin Europe N.V.. Daikin Europe N.V. has compiled the content of this leaflet to the best of its knowledge. No express or implied warranty is given for the completeness, accuracy, reliability or fitness for particular purpose of its content and the products and services presented therein. Specifications are subject to change without prior notice. Daikin Europe N.V. explicitly rejects any liability for any direct or indirect damage, in the broadest sense, arising from or related to the use and/or interpretation of this leaflet. All content is copyrighted by Daikin Europe N.V.

BARCODE

Daikin products are distributed by: